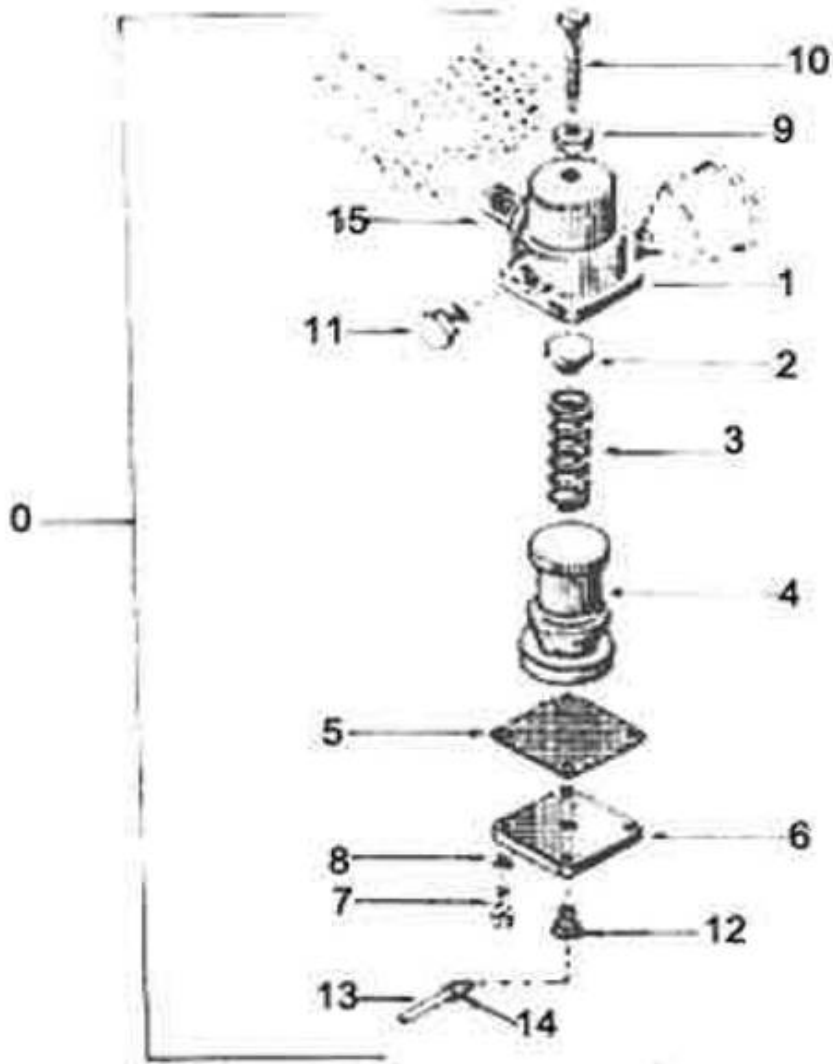


## 4. Pressure Controller - Model 253



All manufacturer's names, numbers, photos, product description and/or part numbers are used for reference purposes only & it is not implied that any part listed is the product of these manufacturers. Since Approvement are made from time to time, the illustration and specifications are subject to change without notice.

## 4. Pressure Controller - Model 253

Ref. No.	Part Number	Description	Qty. per Assly.	Rec. Spares		
				1	2	3
4-0	30210702	Pressure Controller Complete	1			
4-1	30296040	Body	1			
4-2	30220859	Washer Spring	1			
4-3	30671812	Spring Up to 125 PSIG	1	1	1	2
4-3	30673198	Spring Above 125 PSIG	1	1	1	2
4-4	30220768	Valve	1	1	1	2
4-5	30296040	Diaphragm	1	1	1	2
4-6	30211262	Cover	1			
4-7	95079612	Capscrew	4			
4-8	95081857	Washer Spring	4			
4-9	95077798	Nut	1			
4-10	30290811	Screw Spring Adjusting	1			
4-11	30284863	Plug Body	2			
4-12	95031860	Elbow Tube	1			
4-13	32020489	Tube	3FT			
4-14	95229027	Nut Tube	2			
4-15	94466026	Nipple Close	1			
4-16	94465010	Aux. Valve	1			

All manufacturer's names, numbers, photos, product description and/or part numbers are used for reference purposes only & it is not implied that any part listed is the product of these manufacturers. Since Approvement are made from time to time, the illustration and specifications are subject to change without notice.